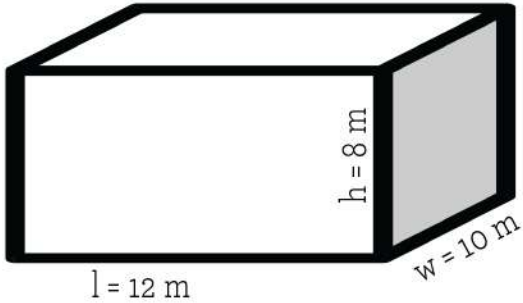


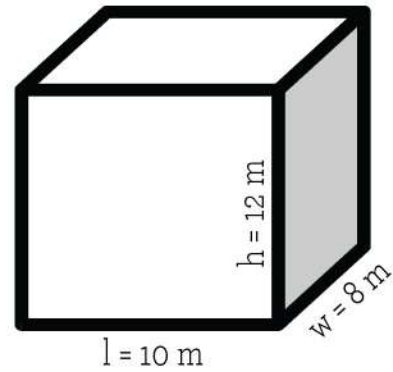
See the below figures and find the volume of these objects

i.



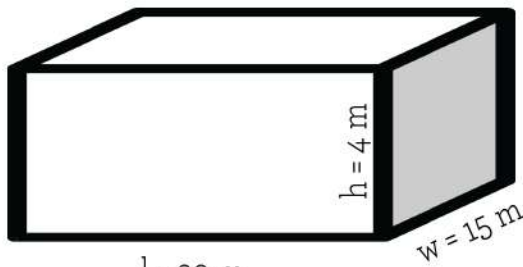
Volume: ____

ii.



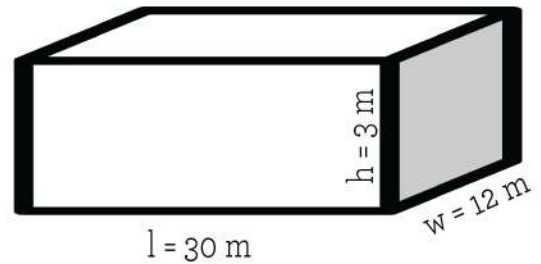
Volume: ____

iii.



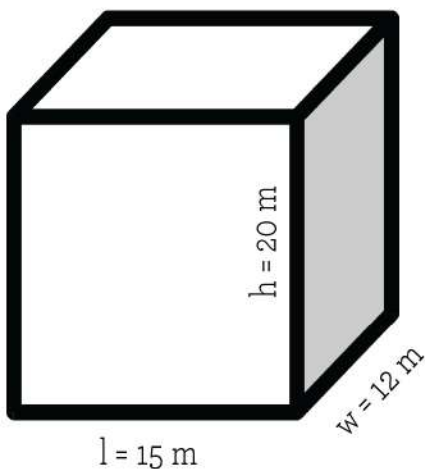
Volume: ____

iv.



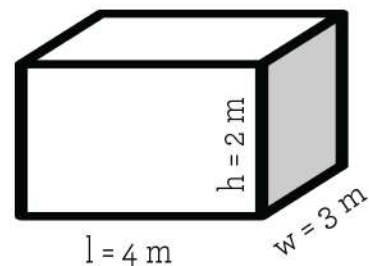
Volume: ____

v.



Volume: ____

vi.



Volume: ____