

Word Problems Regarding Rectangular Prism Boxes

i) Marry made a drawing of a wooden box whose base area is 24 m^2 and height is 7 m. Find the volume of the box in cubic centimeters.

Ans: _____

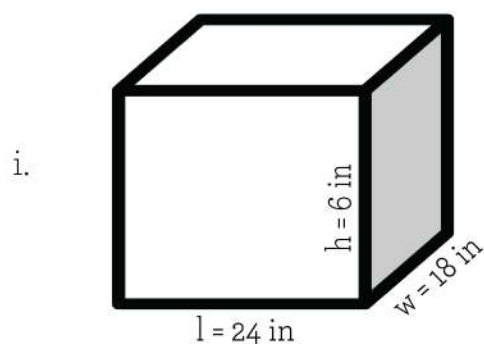
ii) Smith and Williams are bosom friends. Smith gifted williams a pencil box whose length is 20 cm, width is 16 cm, and height is 3 cm. Find the volume of this box in cubic meters.

Ans: _____

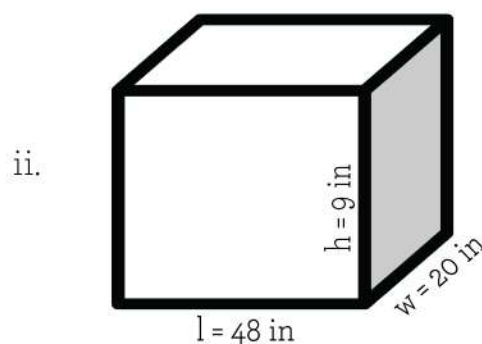
iii) Mr. Charles construct a building which is 70 feet long and 50 feet in width. The height of the building is 30 feet. Find out the volume of the building in cubic meters.

Ans: _____

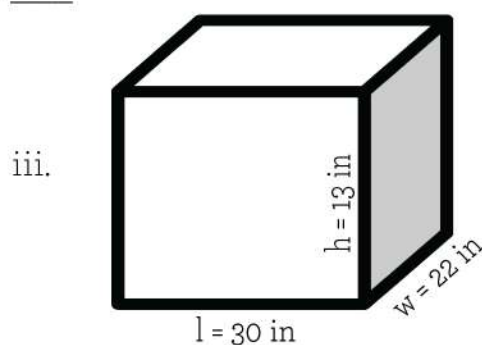
Find the volume of these rectangular prisms in cubic feet



Volume: _____



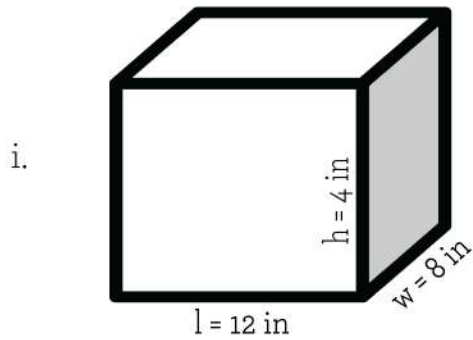
Volume: _____



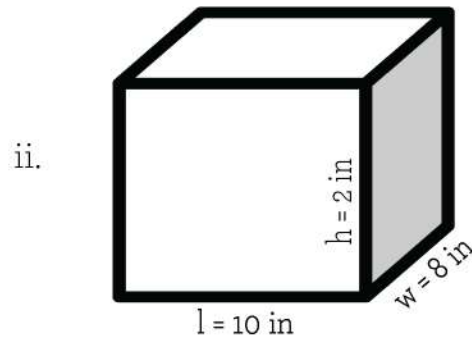
Volume: _____



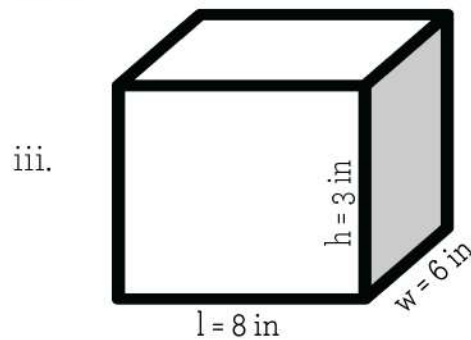
Find the volume of these rectangular prisms in cubic meters



Volume: ____

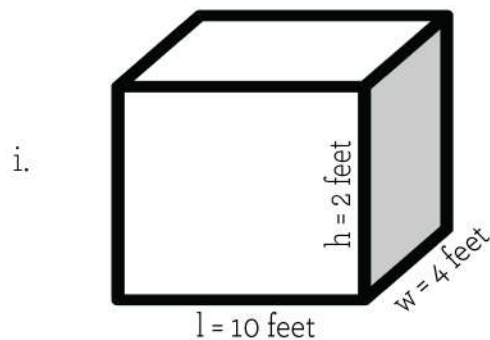


Volume: ____

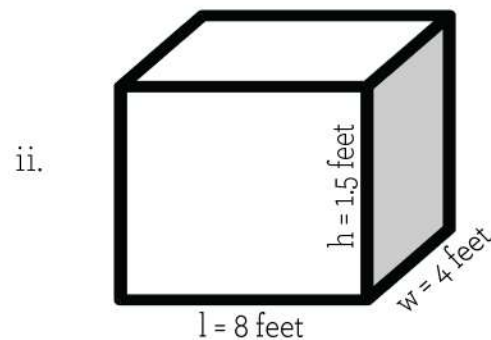


Volume: ____

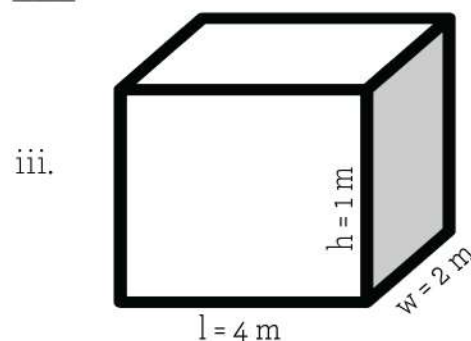
Find the volume of these rectangular prisms in cubic inches



Volume: ____



Volume: ____



Volume: ____