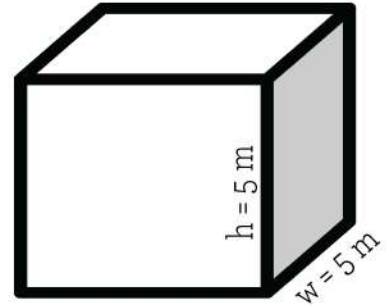
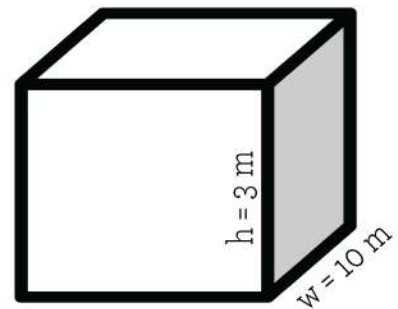


Find the length of the following objects

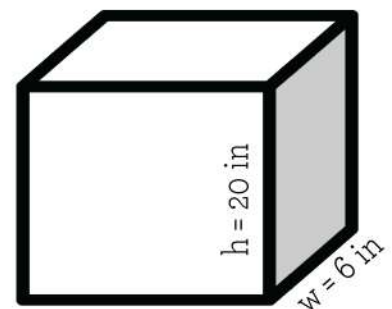
i) Volume = 120 cubic meters
Width = 4 m
Height = 5 m
Length = ?



ii) Volume = 400 cubic meters
Width = 10 m
Height = 3 m
Length = ?

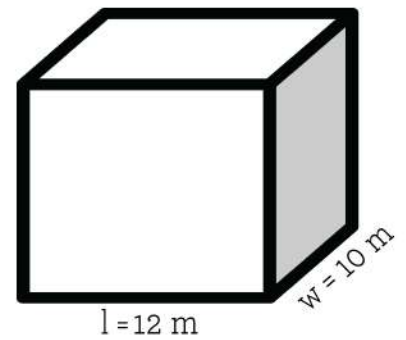


iii) Volume = 900 cubic inches
Width = 6 in
Height = 20 in
Length = ?

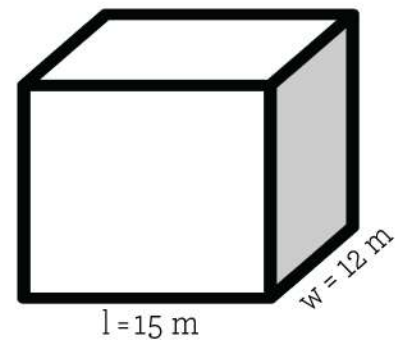


Find the height of the following objects

- i) Volume = 1200 cubic meters
Length = 12 m
Width = 10 m
Height = ?



- ii) Volume = 3600 cubic meters
Length = 15 m
Width = 12 m
Height = ?



- iii) Volume = 144 cubic inches
Length = 9 in
Width = 8 in.
Height = ?

