

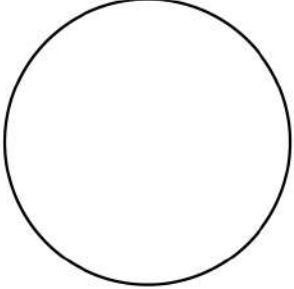
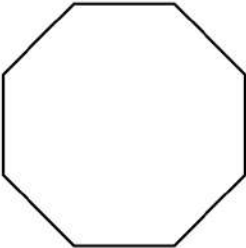

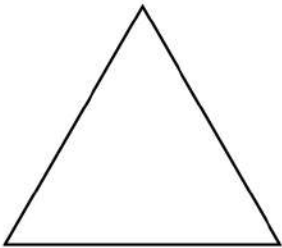
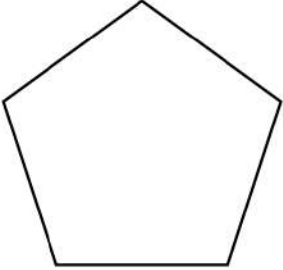



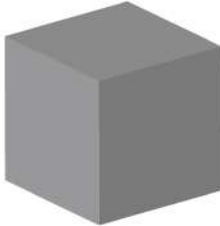
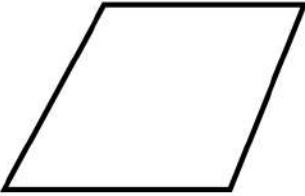


Name : __


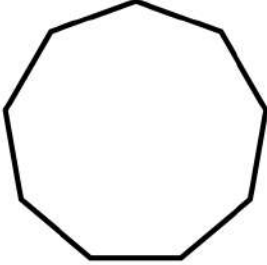
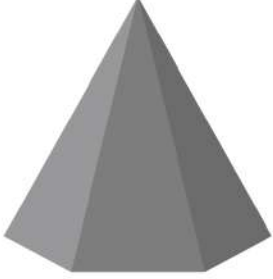
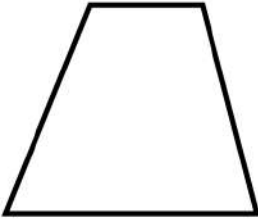
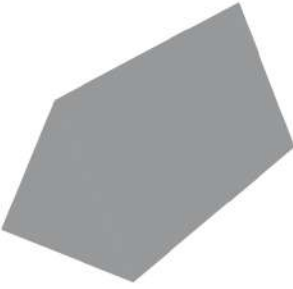

2D Vs 3D Shapes Identification

| | | | |
|------------|---|--|---|
| |  |  |  |
| 2D or 3D | | | |
| Shape Name | | | |
| |  |  |  |
| 2D or 3D | | | |
| Shape Name | | | |

Name : __

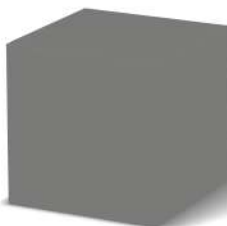
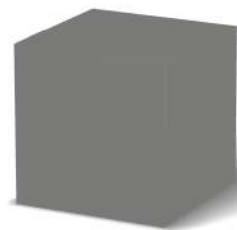
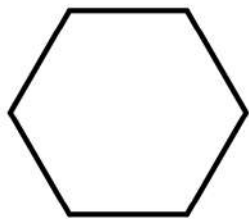
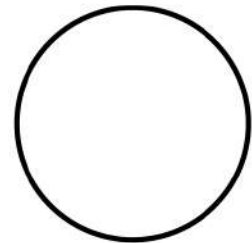
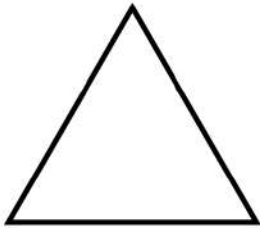
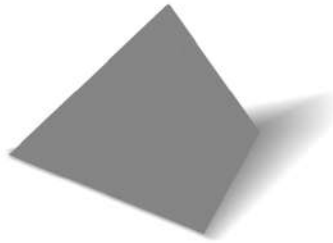
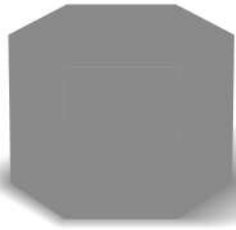
| | | | |
|------------|---|--|---|
| |  |  |  |
| 2D or 3D | | | |
| Shape Name | | | |
| |  |  |  |
| 2D or 3D | | | |
| Shape Name | | | |

Name : __

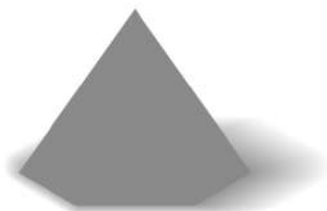
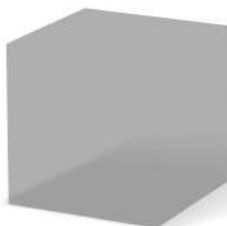
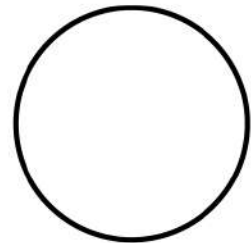
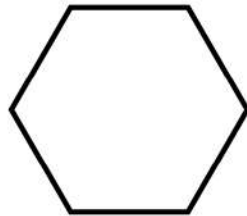
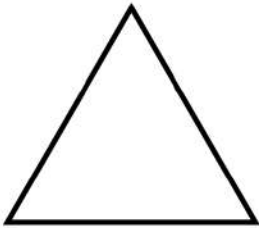
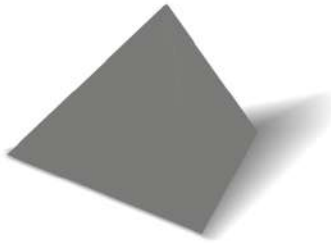
| | | | |
|------------|---|--|---|
| |  |  |  |
| 2D or 3D | | | |
| Shape Name | | | |
| |  |  |  |
| 2D or 3D | | | |
| Shape Name | | | |

Name : __

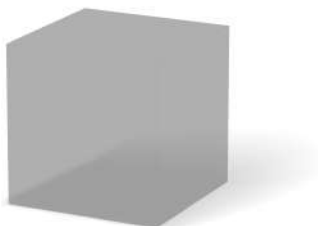
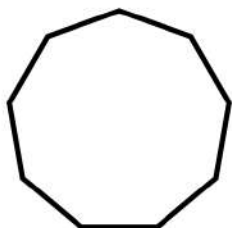
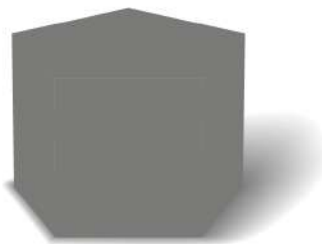
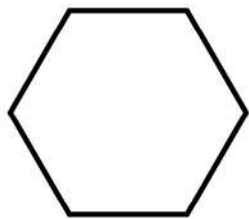
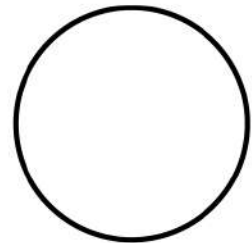
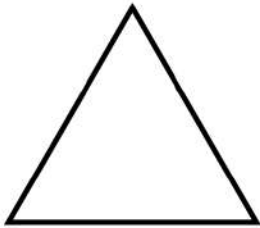
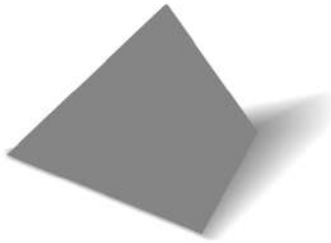
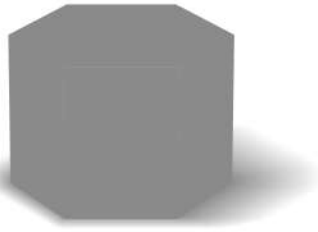
Identify the Spheres And Cubes



Identify the Pyramids And Cones



Simple 3D Shapes Identification for 1st Graders



Name : ___

