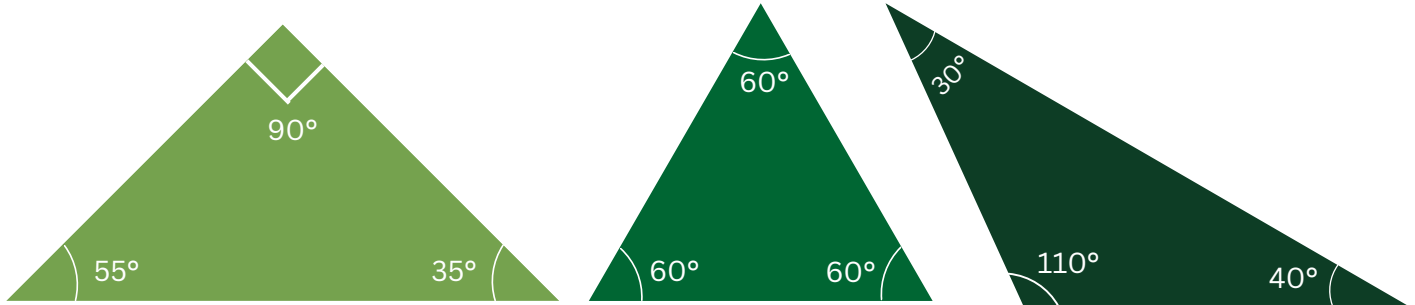
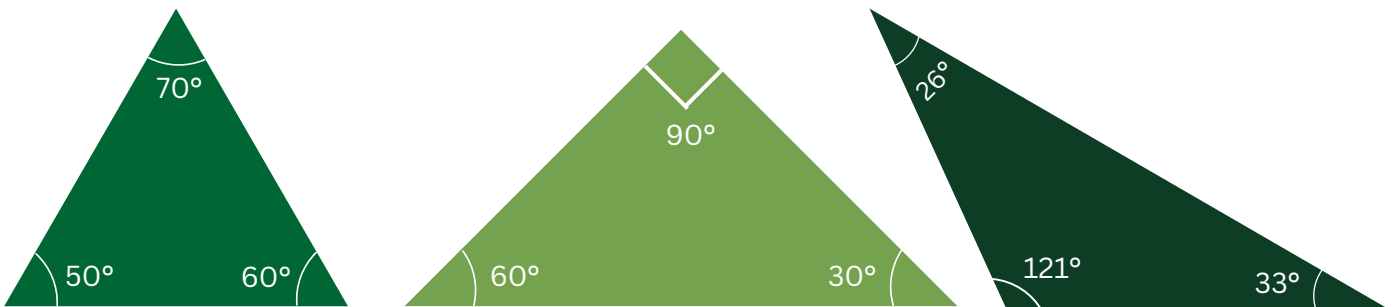




Measure Each Angle



Right Angle



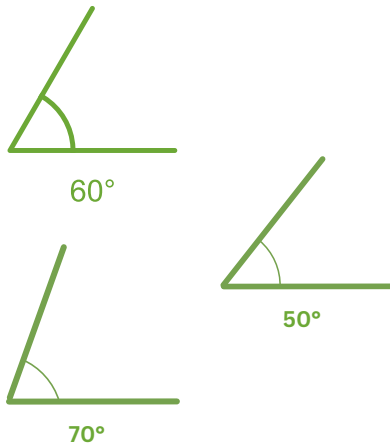
Right Angle
Acute
Obtuse



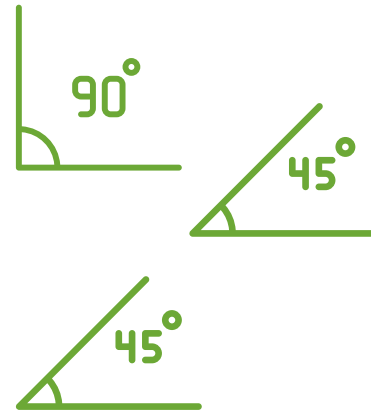


Draw the Triangles and Classify Them

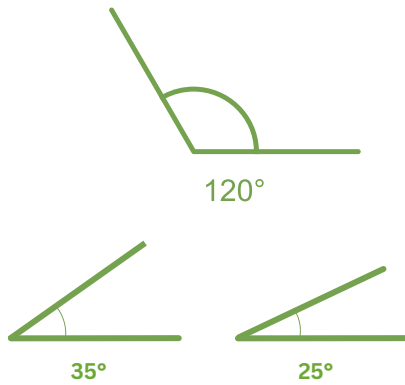
a)



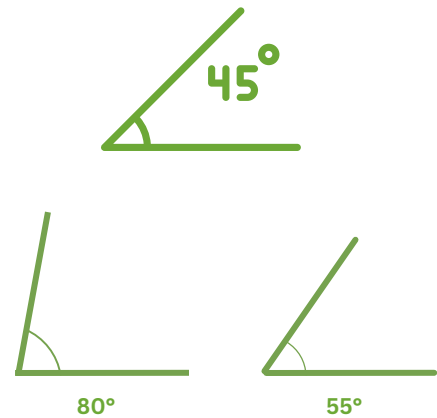
b)



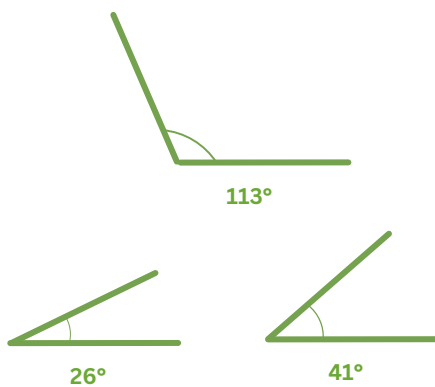
c)



d)



e)



f)

