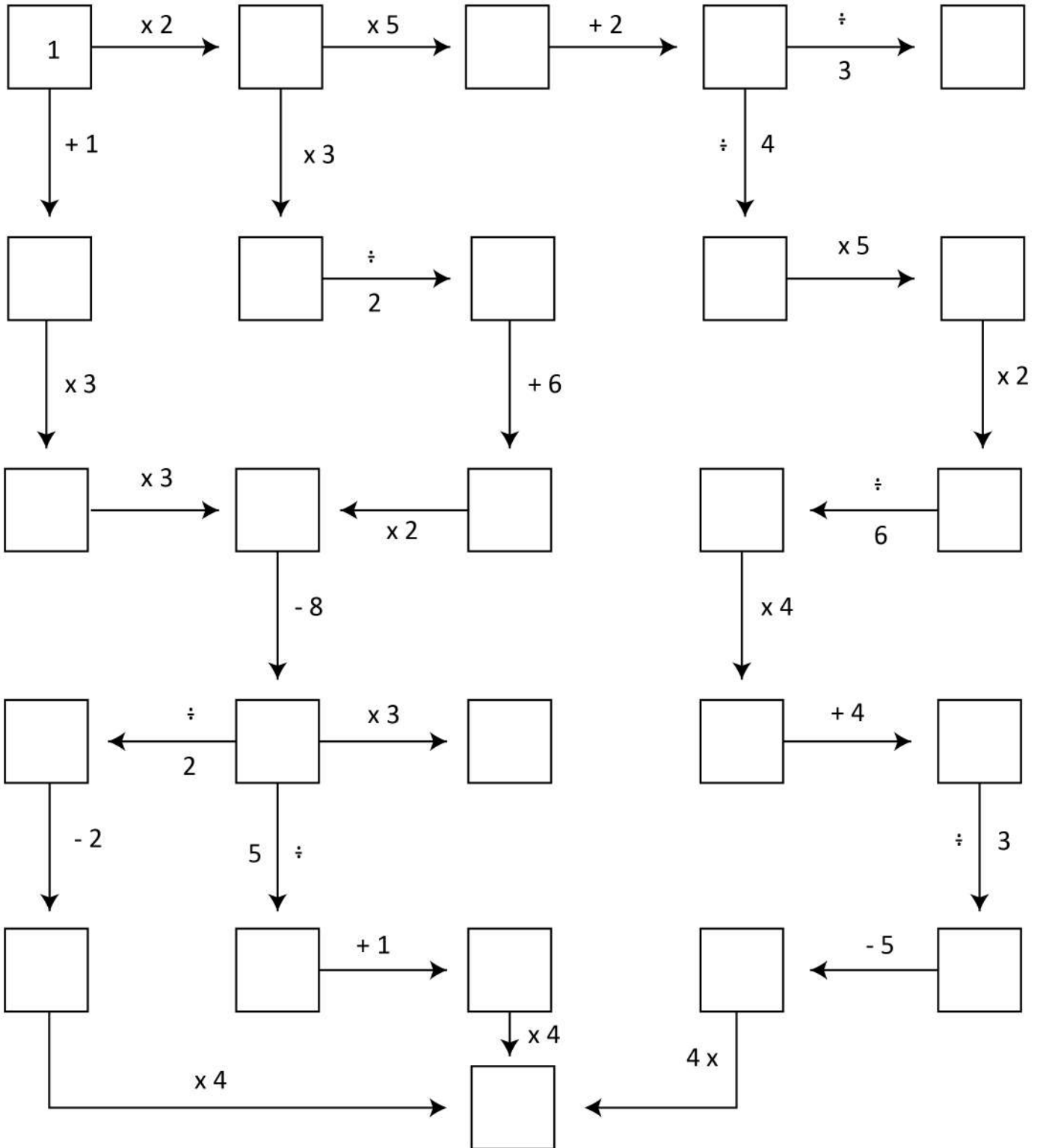
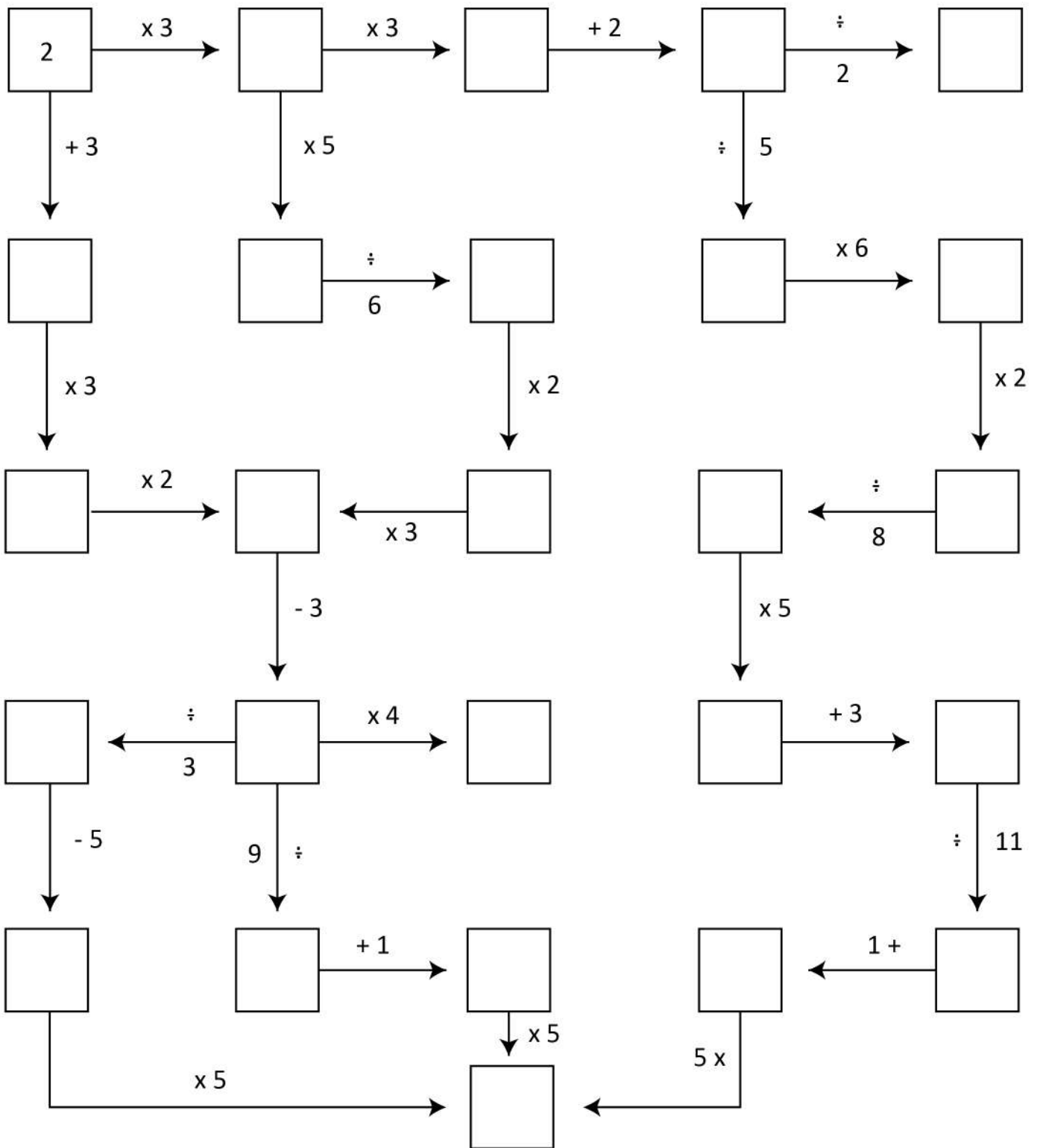


Find the Missing Numbers and Complete the Boxes



Find the Missing Numbers and Complete the Boxes



Find the Missing Numbers and Complete the Boxes

